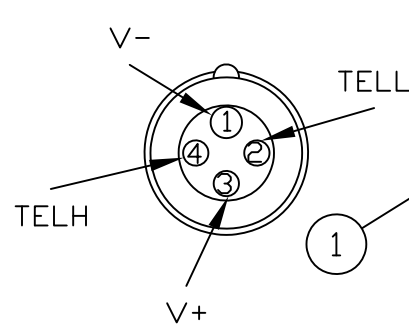
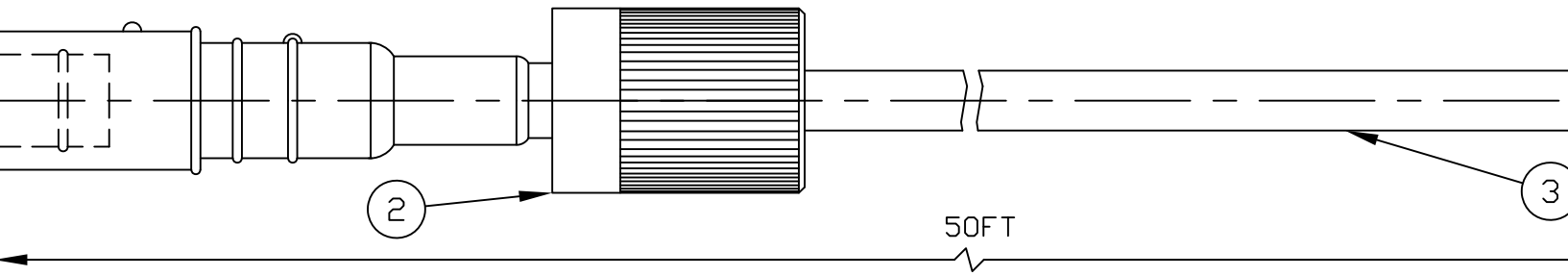


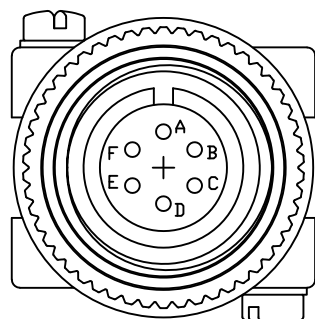
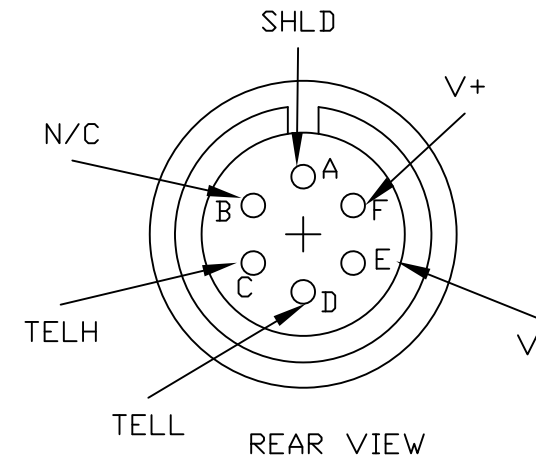
THIS COPY WILL BE UNCONTROLLED WHEN PRINTED



(SOCKET VIEW)  
SEACON RMG-4-FS

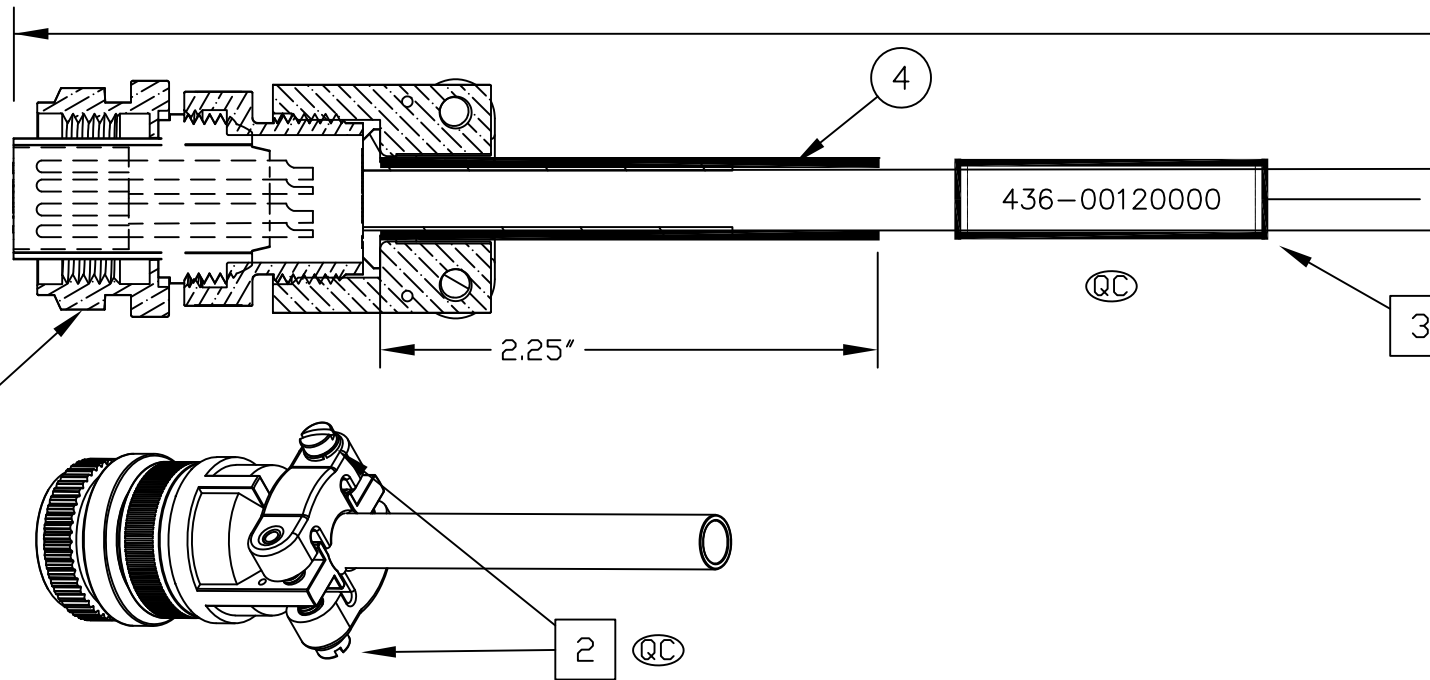


SEACON RMG-4-FS TO AMPHENOL MS3106A-14S-6P				
SEACON RMG-4-FS	SIGNAL	SEACON 18/4SQSH WHIP		AMPHENOL MS3106A-14S-6P
PIN #	DESC	COLOR	DESC	PIN #
2	TELL	BLK	18AWG	D
4	TELH	RED	18AWG	C
1	V-	WHT	18AWG	E
3	V+	GRN	18AWG	F
N/A	SHIELD	SHIELD	18AWG	A
N/A	N/C	N/C	N/C	B



FRONT VIEW

AMPHENOL MS3106A-14S-6P



NOTES:

ALL PARTS AND PROCESSES USED ON THIS ASSEMBLY MUST COMPLY WITH THE RoHS DIRECTIVE

- 1 FOR TOLERANCES PLEASE REFER TO THE TABLE.
- 2 TIGHTEN THE SCREWS WITH TORQUE SCREW DRIVER SET AT 5Nm
- 3 BEFORE INSTALLING THE CONNECTOR:  
PRINT PART# USING 1/8" BLACK TEXT ON WHITE, THEN COVER WITH CLEAR HEATSHRINK.
- QC IMPORTANT TO CHECK.

CABLE AND WIRE LENGTH TOLERANCE		APPROVALS	NAME	DATE
≤1 FT	+1 IN -0 IN	DRAWN	BW	1992-JAN-07
>1 FT-5 FT	+2 IN -0 IN	REVISD	DM	2023-NOV-21
>5 FT-10 FT	+4 IN -0 IN	ENGR		
>10 FT-25 FT	+6 IN -0 IN	CHECKED		
>25 FT	+5% -0%	PRD		
		QA		
		ISSUED		
DO NOT SCALE DRAWING. CONFIDENTIAL. DO NOT COPY.				

ISS	DESCRIPTION	DATE
1.8	ECD-6647	2023-NOV-21
1.7	ECD-6620	2023-AUG-08
1.6	ECD-6522	2023-JAN-31
1.5	ECD-5671	2016-JUN-08
1.4	ECD-2158	1998-JUL-14
1.3	ECD-1277	1995-SEP-12
1.2	ECD-1251	1995-MAY-25
1.1	ECD-727	1993-JUN-25

Kongsberg Discovery Canada Ltd.

CABLE ASSEMBLY  
SEACON RMG-4-FS TO  
AMPHENOL MS3106A-14S-6P

SIZE B		DWG. NO. 436-00121000	ISS 1.8
SCALE: NTS	W.D. NO.	SHEET 1 OF 1	

PROPRIETARY NOTICE  
THIS DOCUMENT CONTAINS INFORMATION WHICH IS SOLE PROPERTY OF KONGSBERG DISCOVERY CANADA LTD AND IS RECEIVED IN CONFIDENCE. ITS CONTENTS MAY NOT BE DISCLOSED OR REPRODUCED IN ANY WAY WITHOUT WRITTEN CONSENT OF KONGSBERG DISCOVERY CANADA LTD.