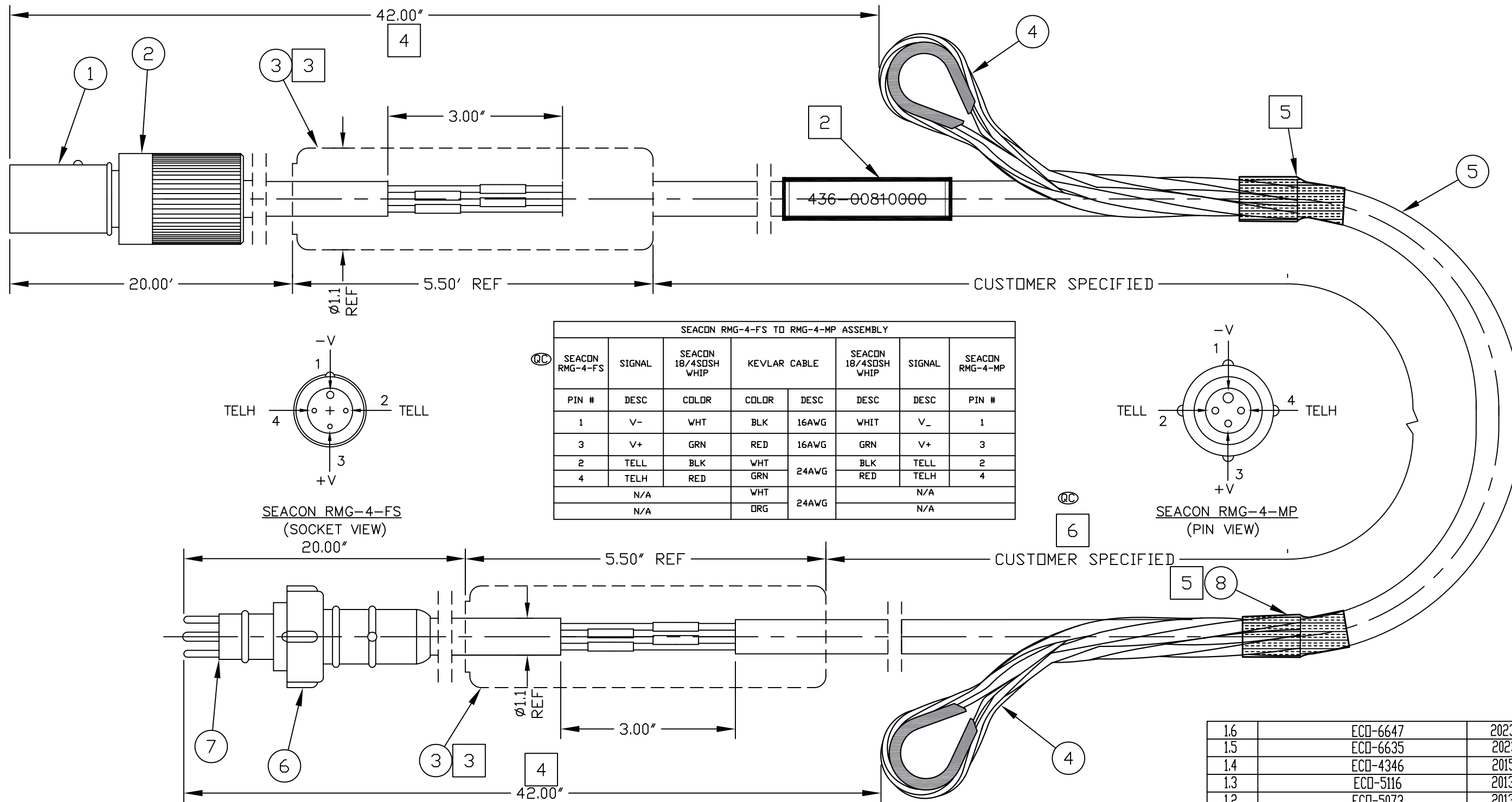
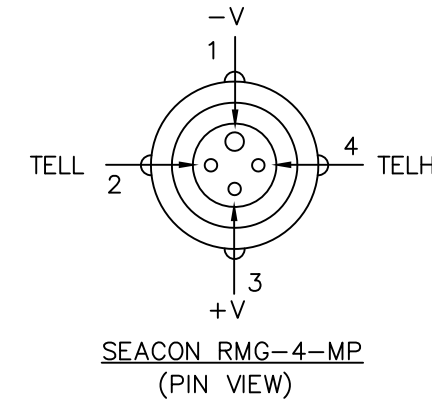
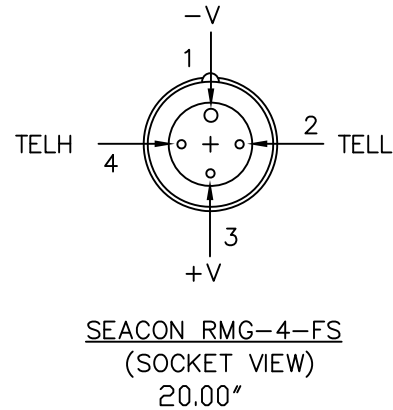


THIS COPY WILL BE UNCONTROLLED WHEN PRINTED



SEACON RMG-4-FS TO RMG-4-MP ASSEMBLY							
SEACON RMG-4-FS	SIGNAL	SEACON 18/4SDSH WHIP	KEVLAR CABLE		SEACON 18/4SDSH WHIP	SIGNAL	SEACON RMG-4-MP
PIN #	DESC	COLOR	COLOR	DESC	DESC	DESC	PIN #
1	V-	WHT	BLK	16AWG	WHIT	V-	1
3	V+	GRN	RED	16AWG	GRN	V+	3
2	TELL	BLK	WHT	24AWG	BLK	TELL	2
4	TELH	RED	GRN	24AWG	RED	TELH	4
	N/A		WHT			N/A	
	N/A		DRG			N/A	



- NOTES:**
- 1 ALL PARTS AND PROCESSES USED ON THIS ASSEMBLY MUST COMPLY WITH THE RoHS DIRECTIVE
 - 2 FOR TOLERANCES PLEASE REFER TO THE TABLE.
 - 3 BEFORE INSTALLING THE CONNECTOR:
PRINT PART# USING 1/8" BLACK TEXT ON WHITE, THEN COVER WITH CLEAR HEATSHRINK.
 - 4 BEFORE MOLDING: INSERT HEATSHRINK FIRST, THEN KELLEMS GRIP STRAIN RELIEF AND THEN SOLDER WIRES. MOLDING DETAILS:
-ABRADE CABLE JACKET WITH 240 WET/DRY PAPER.
-POSITION MOLD ALONG CABLE PER ABOVE AND PDT WITH 3M SCOTCHCAST 2131 (ITEM3).
 - 5 ORIENT KELLEMS GRIP STRAIN RELIEF ATTACHMENT HOOK (ITEM 4) TOWARDS PIGTAIL (ITEM 1 AND 7).
 - 6 WRAP 1.50" OF WHIPPING USING BLUE THROW/TYING LINE AND COVER WITH HEATSHRINK, REFER TO ASSEMBLY PROCEDURE LISTED IN THE BOM.
 - 7 LENGTH IN FT= XXXX IN PART# 436-0PPP0000-XXXX.
 - 8 IMPORTANT TO CHECK.

CABLE AND WIRE LENGTH TOLERANCE		APPROVALS	NAME	DATE
≤1 FT	+1 IN -0 IN	DRAWN	BMS	2007-JUN-17
>1 FT-5 FT	+2 IN -0 IN	REVISD	DM	2023-NOV-21
>5 FT-10 FT	+4 IN -0 IN	ENGR		
>10 FT-25 FT	+6 IN -0 IN	CHECKED		
>25 FT	+5% -0%	PRD		
		QA		
		ISSUED		
DO NOT SCALE DRAWING. CONFIDENTIAL. DO NOT COPY.				

ISS	DESCRIPTION	DATE
1.6	ECD-6647	2023-NOV-21
1.5	ECD-6635	2023-OCT-10
1.4	ECD-4346	2015-JUN-07
1.3	ECD-5116	2013-AUG-22
1.2	ECD-5073	2013-FEB-22
1.1	ECD-4524	2009-JUN-09

Kongsberg Discovery Canada Ltd.

CABLE ASSEMBLY
1071 SONAR EXTENSION CABLE

SIZE B		DWG. NO. 436-00811000	ISS 1.6
SCALE: NTS	W.D. NO.	SHEET 1 OF 1	

PROPRIETARY NOTICE

THIS DOCUMENT CONTAINS INFORMATION WHICH IS SOLE PROPERTY OF KONGSBERG DISCOVERY CANADA LTD AND IS RECEIVED IN CONFIDENCE. ITS CONTENTS MAY NOT BE DISCLOSED OR REPRODUCED IN ANY WAY WITHOUT WRITTEN CONSENT OF KONGSBERG DISCOVERY CANADA LTD.