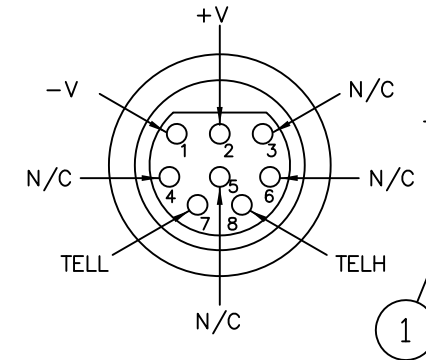
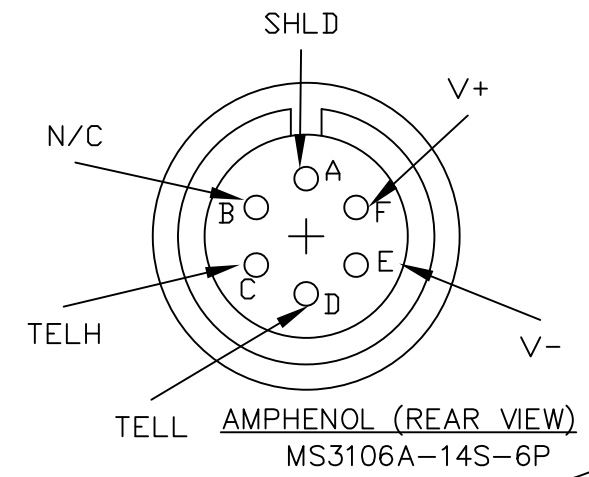


THIS COPY WILL BE UNCONTROLLED WHEN PRINTED

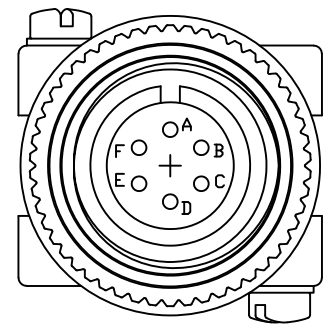
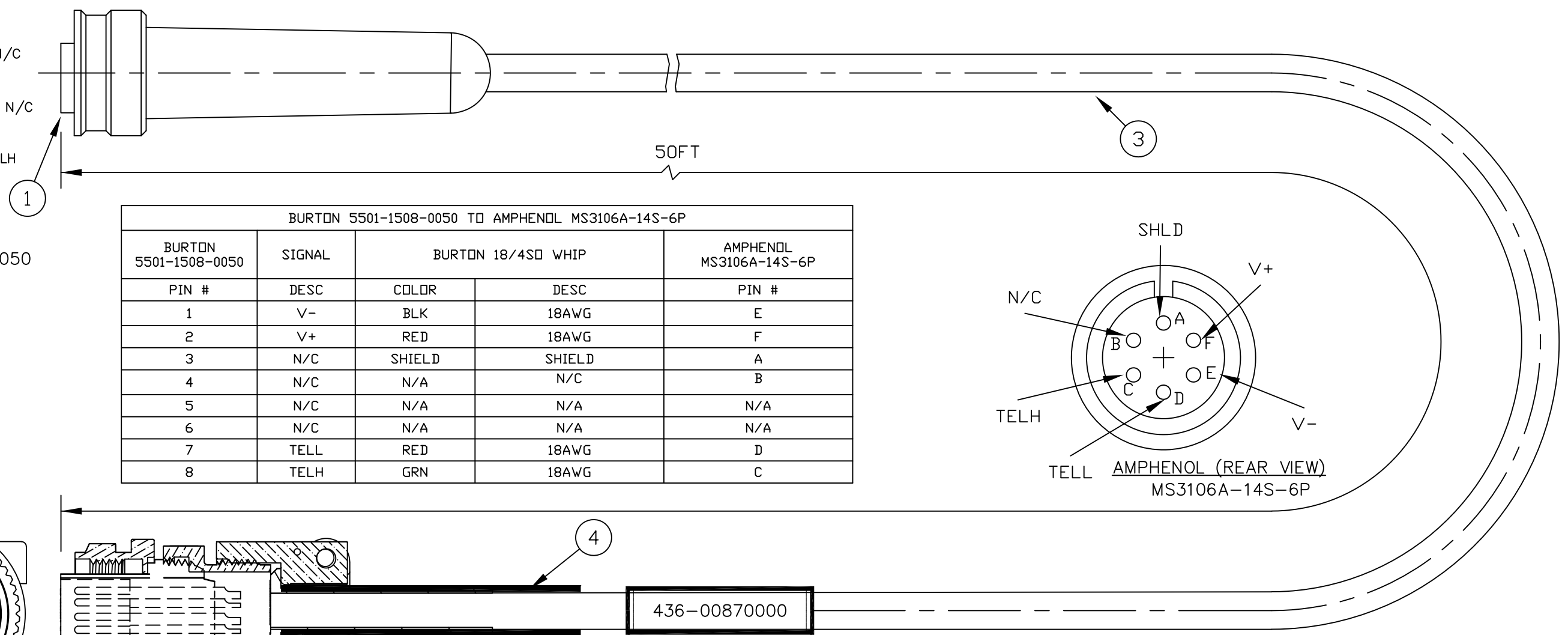


**SOCKET VIEW**  
BURTON 5501-1508-0050

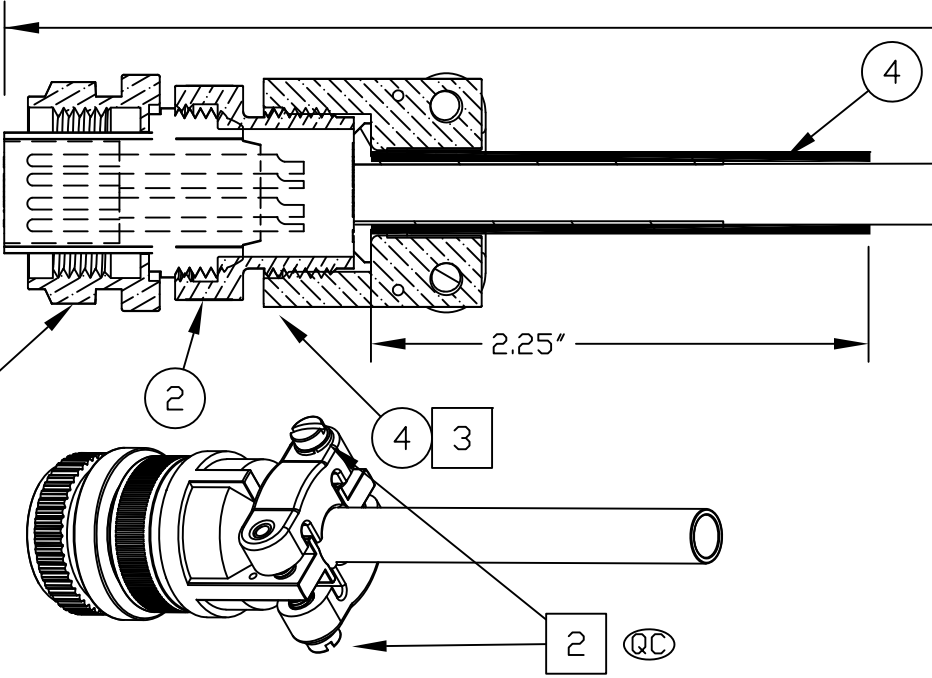
BURTON 5501-1508-0050 TO AMPHENOL MS3106A-14S-6P				
BURTON 5501-1508-0050	SIGNAL	BURTON 18/4SD WHIP		AMPHENOL MS3106A-14S-6P
PIN #	DESC	COLOR	DESC	PIN #
1	V-	BLK	18AWG	E
2	V+	RED	18AWG	F
3	N/C	SHIELD	SHIELD	A
4	N/C	N/A	N/C	B
5	N/C	N/A	N/A	N/A
6	N/C	N/A	N/A	N/A
7	TELL	RED	18AWG	D
8	TELH	GRN	18AWG	C



**AMPHENOL (REAR VIEW)**  
MS3106A-14S-6P



**AMPHENOL (FRONT VIEW)**  
MS3106A-14S-6P



436-00870000

QC 4

**NOTES:**

ALL PARTS AND PROCESSES USED ON THIS ASSEMBLY MUST COMPLY WITH THE RoHS DIRECTIVE

- 1 FOR TOLERANCES PLEASE REFER TO THE TABLE.
- 2 TIGHTEN THE SCREWS WITH TORQUE SCREW DRIVER SET AT 5Nm
- 3 DISCARD SHIELD RING (SHIELD IS CONNECTED TO PIN A).
- 4 BEFORE INSTALLING THE CONNECTOR:  
PRINT PART# USING 1/8" BLACK TEXT ON WHITE, THEN COVER WITH CLEAR HEATSHRINK.
- QC IMPORTANT TO CHECK.

1

CABLE AND WIRE LENGTH TOLERANCE		APPROVALS	NAME	DATE
≤1 FT	+1 IN -0 IN	DRAWN	BMS	1998-JAN-19
>1 FT-5 FT	+2 IN -0 IN	REVISED	DM	2023-NOV-21
>5 FT-10 FT	+4 IN -0 IN	ENGR		
>10 FT-25 FT	+6 IN -0 IN	CHECKED		
>25 FT	+5% -0%	PRD		
		QA		
		ISSUED		
DO NOT SCALE DRAWING. CONFIDENTIAL. DO NOT COPY.				

ISS	DESCRIPTION	DATE
1.7	ECD-6647	2023-NOV-21
1.6	ECD-6620	2023-AUG-08
1.5	ECD-6522	2023-JAN-31
1.4	ECD-4040	2006-OCT-30
1.3	ECD-3894	2006-FEB-09
1.2	ECD-3816	2005-JUN-15
1.1	ECD-2096	1998-MAR-25

Kongsberg Discovery Canada Ltd.

CABLE ASSEMBLY  
MODEL 971 SONAR TO PROCESSOR

SIZE B		DWG. NO. 436-00871000	ISS 1.7
SCALE: NTS	W.D. NO.	SHEET 1 OF 1	

PROPRIETARY NOTICE  
THIS DOCUMENT CONTAINS INFORMATION WHICH IS SOLE PROPERTY OF KONGSBERG DISCOVERY CANADA LTD AND IS RECEIVED IN CONFIDENCE. ITS CONTENTS MAY NOT BE DISCLOSED OR REPRODUCED IN ANY WAY WITHOUT WRITTEN CONSENT OF KONGSBERG DISCOVERY CANADA LTD.