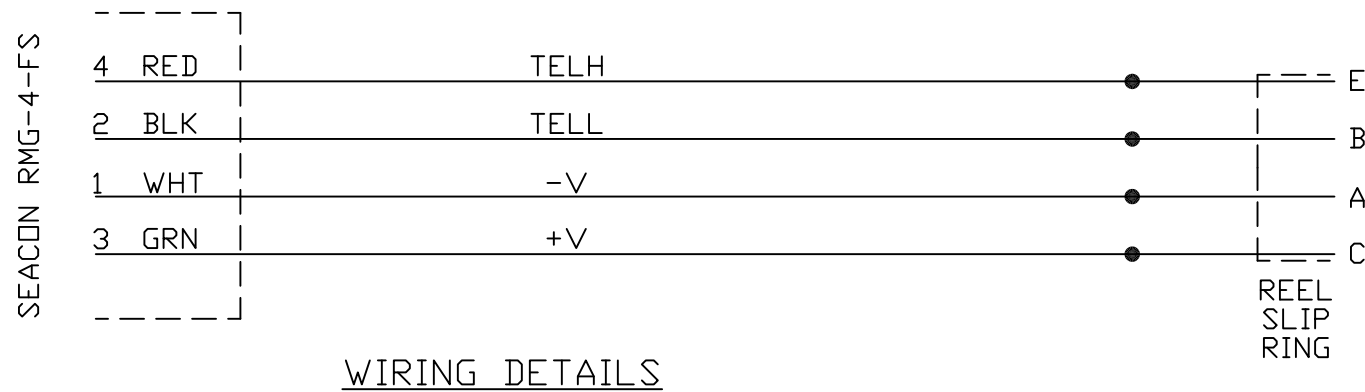
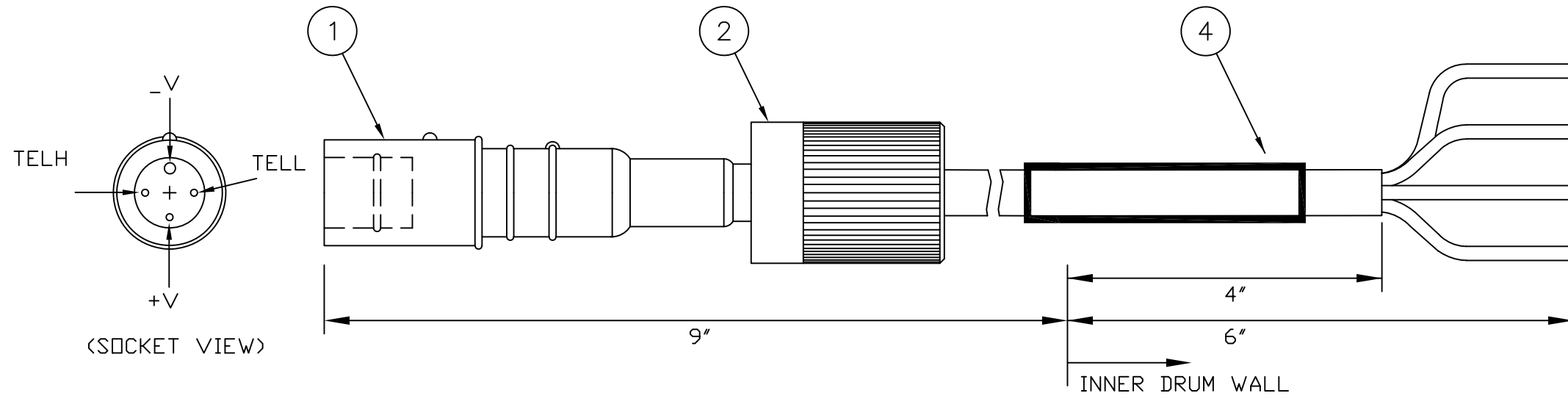
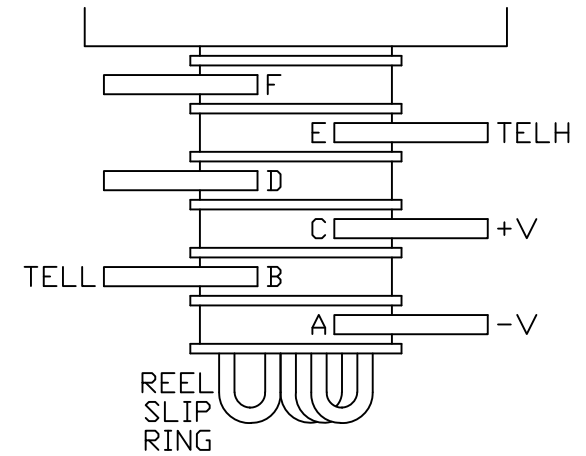


THIS COPY WILL BE UNCONTROLLED WHEN PRINTED



WIRING DETAILS



NOTES:

ALL PARTS AND PROCESSES USED ON THIS ASSEMBLY MUST COMPLY WITH THE RoHS DIRECTIVE

1 FOR TOLERANCES PLEASE REFER TO THE TABLE.

2 FOR COLORS REFER TO THE WHIP

CABLE AND WIRE LENGTH TOLERANCE		APPROVALS	NAME	DATE	ISS	DESCRIPTION	DATE	
≤1 FT	+1 IN -0 IN	DRAWN	BH	2012-SEP-07		Kongsberg Discovery Canada Ltd. CABLE ASSEMBLY REEL PIGTAIL		
>1 FT-5 FT	+2 IN -0 IN	REVISED	DM	2023-NOV-21				
>5 FT-10 FT	+4 IN -0 IN	ENGR						
>10 FT-25 FT	+6 IN -0 IN	CHECKED						
		PROD						
		QA						
>25 FT	+5% -0%	ISSUED						
DO NOT SCALE DRAWING. CONFIDENTIAL. DO NOT COPY.					SIZE B		DWG. NO. 436-02631000	ISS 1.3
					SCALE: NTS	W.I. NO.	SHEET 1 OF 1	

ISS	DESCRIPTION	DATE
1.3	ECD-6647	2023-NOV-21
1.2	ECD-5115	2013-APR-22
1.1	ECD-5080	2013-JAN-07

PROPRIETARY NOTICE
THIS DOCUMENT CONTAINS INFORMATION WHICH IS SOLE PROPERTY OF KONGSBERG DISCOVERY CANADA LTD AND IS RECEIVED IN CONFIDENCE. ITS CONTENTS MAY NOT BE DISCLOSED OR REPRODUCED IN ANY WAY WITHOUT WRITTEN CONSENT OF KONGSBERG DISCOVERY CANADA LTD.