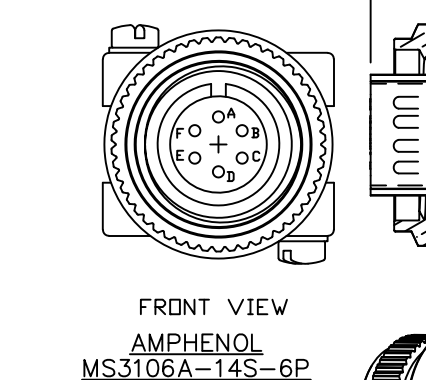
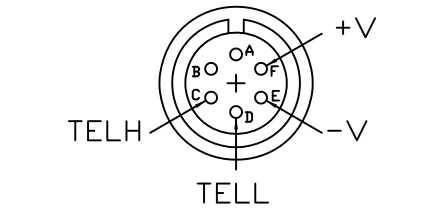
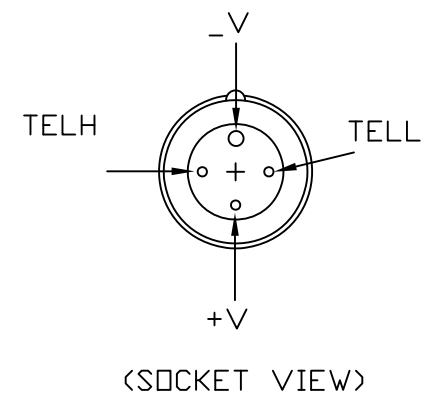
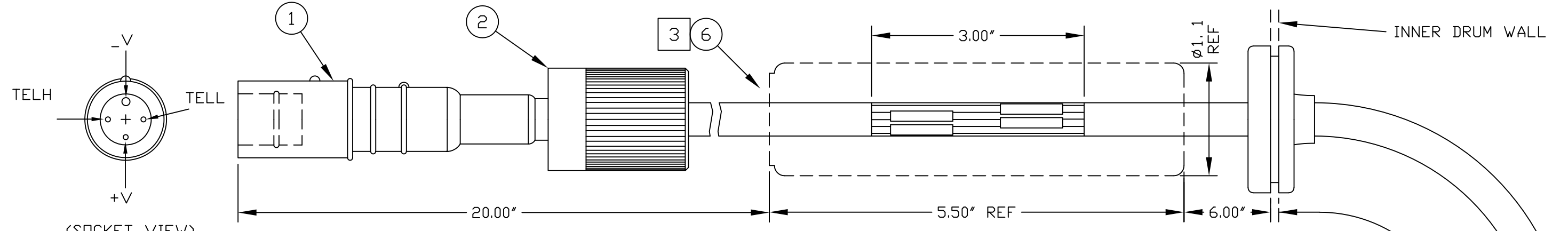


THIS COPY WILL BE UNCONTROLLED WHEN PRINTED



SEACON RMG-4-FS TO AMPHENOL MS3106A-14S-6P				
SEACON RMG-4-FS	SIGNAL	SEACON 18/4SQSH WHIP		AMPHENOL MS3106A-14S-6P
PIN #	DESC	COLOR	DESC	PIN #
2	TELL	BLK	18AWG	D
4	TELH	RED	18AWG	C
1	V-	WHT	18AWG	E
3	V+	GRN	18AWG	F
N/A	N/C	N/C	N/C	A
N/A	N/C	N/C	N/C	B

SEE TABLE
PART # = 436-02640000-XXXX
XXXX = LENGTH IN FEET

436-0264
0000-XXXX

CABLE LENGTH	
436-02640000-0010	10FT
436-02640000-0020	20FT

- NOTES:**
ALL PARTS AND PROCESSES USED ON THIS ASSEMBLY MUST COMPLY WITH THE RoHS DIRECTIVE
- 1 FOR TOLERANCES PLEASE REFER TO THE TABLE.
 - 2 TIGHTEN THE SCREWS WITH TORQUE SCREW DRIVER SET AT 5Nm
 - 3 MOLDING DETAILS:
-ABRADE CABLE JACKET WITH 240 WET/DRY PAPER
-POSITION MOLD ALONG CABLE PER ABOVE AND POT WITH 3M SCOTCHCAST 2131 (ITEM 6)
 - 4 BEFORE INSTALLING THE CONNECTOR:
PRINT PART# USING 1/8" BLACK TEXT ON WHITE, THEN COVER WITH CLEAR HEATSHRINK.
 - QC IMPORTANT TO CHECK.

CABLE AND WIRE LENGTH TOLERANCE		APPROVALS	NAME	DATE
≤1 FT	+1 IN -0 IN	DRAWN	BH	2012-SEP-11
>1 FT-5 FT	+2 IN -0 IN	REVISED	DM	2023-NOV-21
>5 FT-10 FT	+4 IN -0 IN	ENGR		
>10 FT-25 FT	+6 IN -0 IN	CHECKED		
>25 FT	+5% -0%	PROD		
		QA		
		ISSUED		
DO NOT SCALE DRAWING. CONFIDENTIAL. DO NOT COPY.				

ISS	DESCRIPTION	DATE
1.4	ECD-6647	2023-NOV-21
1.3	ECD-6620	2023-AUG-08
1.2	ECD-6522	2023-JAN-31
1.1	ECD-5073	2013-FEB-22

REVISIONS

Kongsberg Discovery Canada Ltd.

CABLE ASSEMBLY
SONAR TO PROCESSOR

SIZE B	W.D. NO. 436-02641000	ISS 1.4
SCALE: NTS	W.D. NO.	SHEET 1 OF 1

PROPRIETARY NOTICE
THIS DOCUMENT CONTAINS INFORMATION WHICH IS SOLE PROPERTY OF KONGSBERG DISCOVERY CANADA LTD AND IS RECEIVED IN CONFIDENCE. ITS CONTENTS MAY NOT BE DISCLOSED OR REPRODUCED IN ANY WAY WITHOUT WRITTEN CONSENT OF KONGSBERG DISCOVERY CANADA LTD.