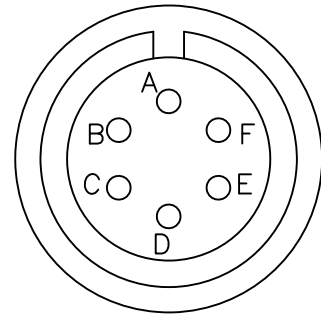
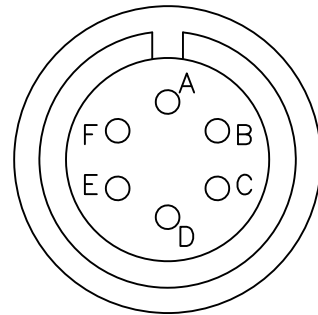


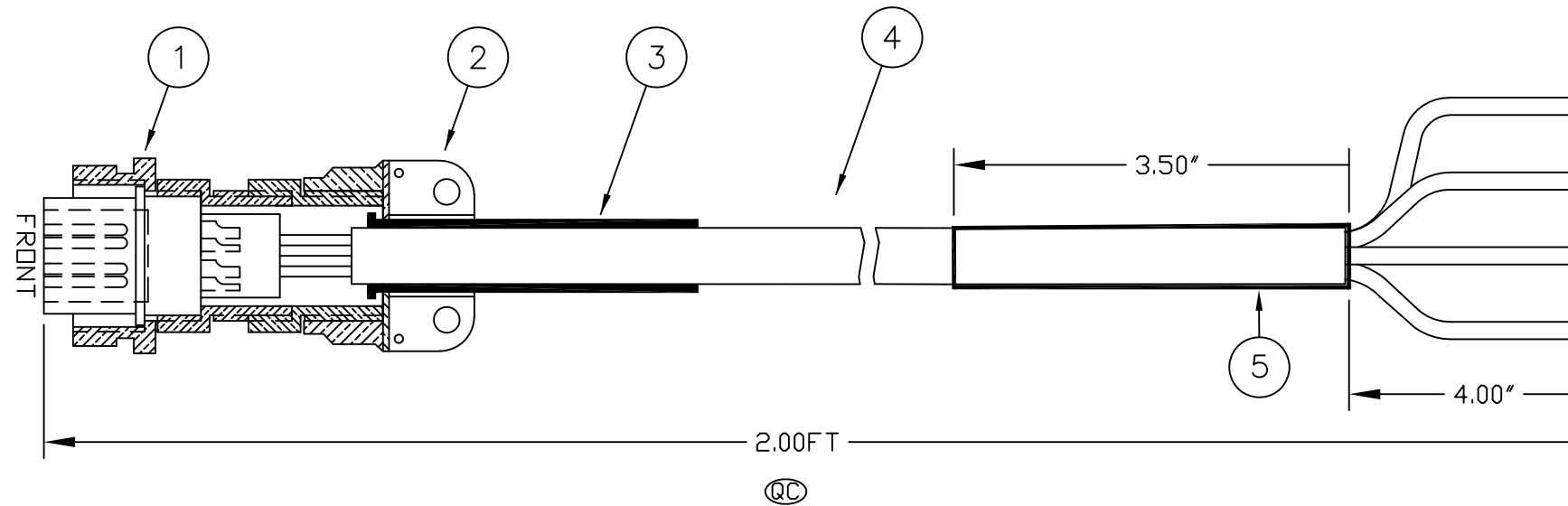
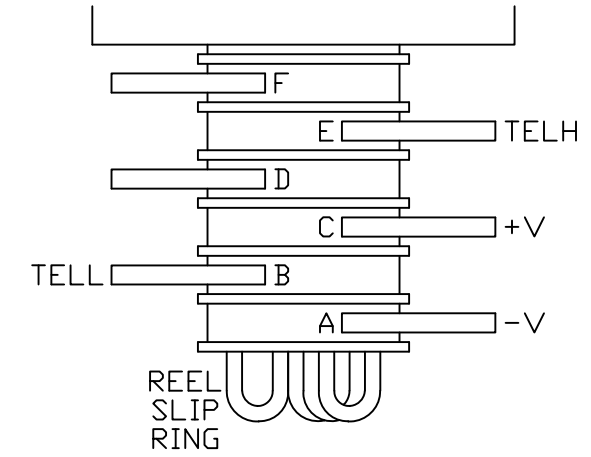
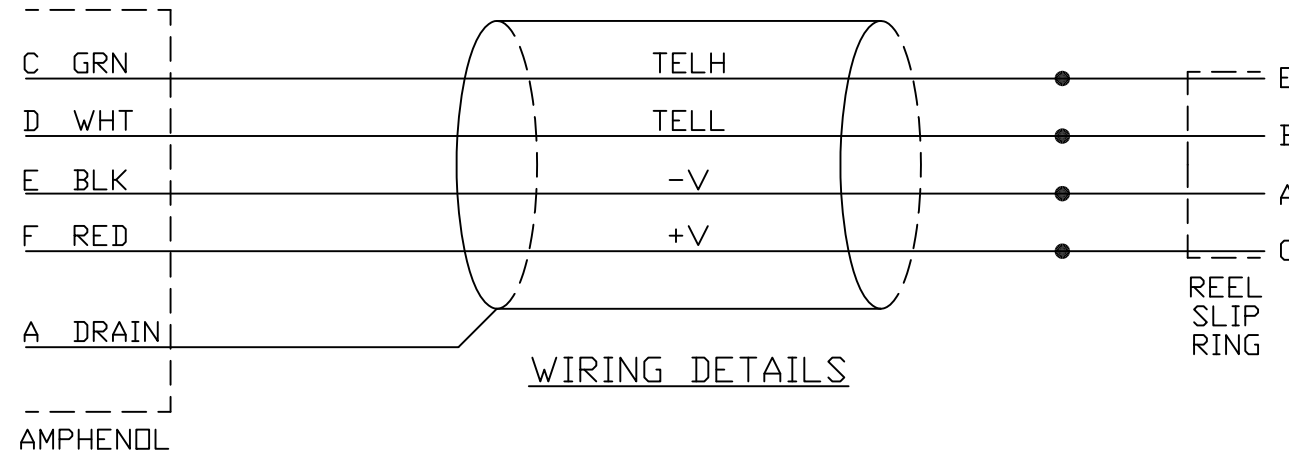
THIS COPY WILL BE UNCONTROLLED WHEN PRINTED



AMPHENOL  
(FACE VIEW)



AMPHENOL  
(REAR VIEW)



**NOTES:**

ALL PARTS AND PROCESSES USED ON THIS ASSEMBLY MUST COMPLY WITH THE RoHS DIRECTIVE

1 FOR TOLERANCES PLEASE REFER TO THE TABLE.

(QC) IMPORTANT TO CHECK.

| CABLE AND WIRE LENGTH TOLERANCE                     |             | APPROVALS | NAME | DATE        |
|---|-------------|-----------|------|-------------|
| ≤1 FT   | +1 IN -0 IN | DRAWN     | DM   | 2016-NOV-29 |
| >1 FT-5 FT  | +2 IN -0 IN | REVISED   | DM   | 2023-NOV-21 |
| >5 FT-10 FT   | +4 IN -0 IN | ENGR      |      |             |
| >10 FT-25 FT  | +6 IN -0 IN | CHECKED   |      |             |
| >25 FT  | +5% -0%     | PROD      |      |             |
|   |             | QA        |      |             |
|   |             | ISSUED    |      |             |
| DO NOT SCALE DRAWING.<br>CONFIDENTIAL. DO NOT COPY. |             |           |      |             |

| ISS | DESCRIPTION | DATE        |
|-----|-------------|-------------|
| 1.2 | ECO-6647    | 2023-NOV-21 |
| 1.1 | ECO-6028    | 2016-NOV-16 |

| REVISIONS                        |          |                          |
|----------------------------------|----------|--------------------------|
| Kongsberg Discovery Canada Ltd.  |          |                          |
| CABLE ASSEMBLY<br>DAS REEL CABLE |          |                          |
| SIZE<br>B                        |          | DWG. NO.<br>436-02801000 |
| SCALE: NTS                       | W.I. NO. | ISS<br>1.2               |
|                                  |          | SHEET 1 OF 1             |