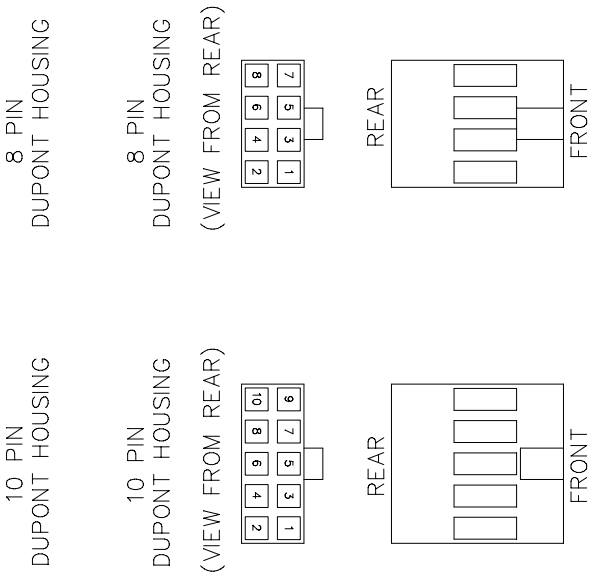


FOR PINOUT SEE CONNECTOR DRAWING



PROPRIETARY NOTICE - THIS DOCUMENT CONTAINS INFORMATION WHICH IS SOLE PROPERTY OF KONGSBERG MESOTECH LTD AND IS RECEIVED IN CONFIDENCE. ITS CONTENTS MAY NOT BE DISCLOSED OR REPRODUCED IN ANY WAY WITHOUT WRITTEN CONSENT OF KONGSBERG MESOTECH LTD.

APPROVALS	DATE
DRAWN DL	05/11/03
REVISED	
CHECKED	
ENGR	
ISSUED	
CONFIDENTIAL DO NOT COPY	

ISS	DESCRIPTION	DATE
REVISIONS		
Kongsberg Mesotech Ltd.		
ENDCAP WIRING DIGITAL TELEMETRY RS485/232		
SIZE A	NSCM NO 1C965	TYPE MD
DWG NO.	442-00001332	
		ISS 1.0
SCALE: NTS	W.O. NO.	SHEET 1 OF 1

DO NOT SCALE DRAWING

