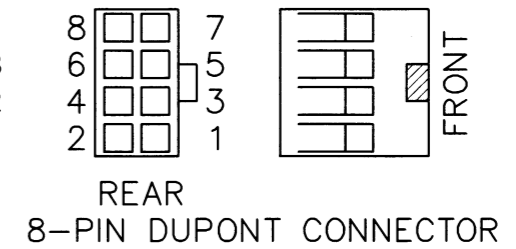
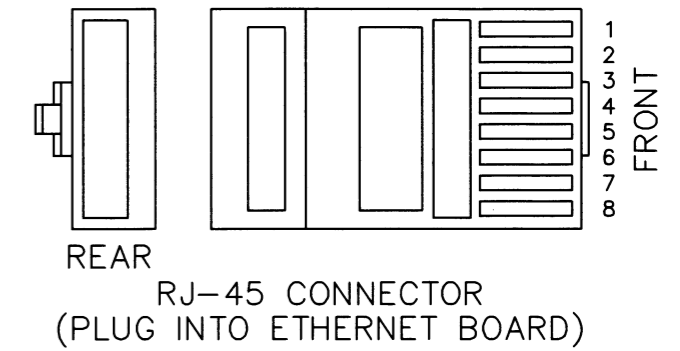
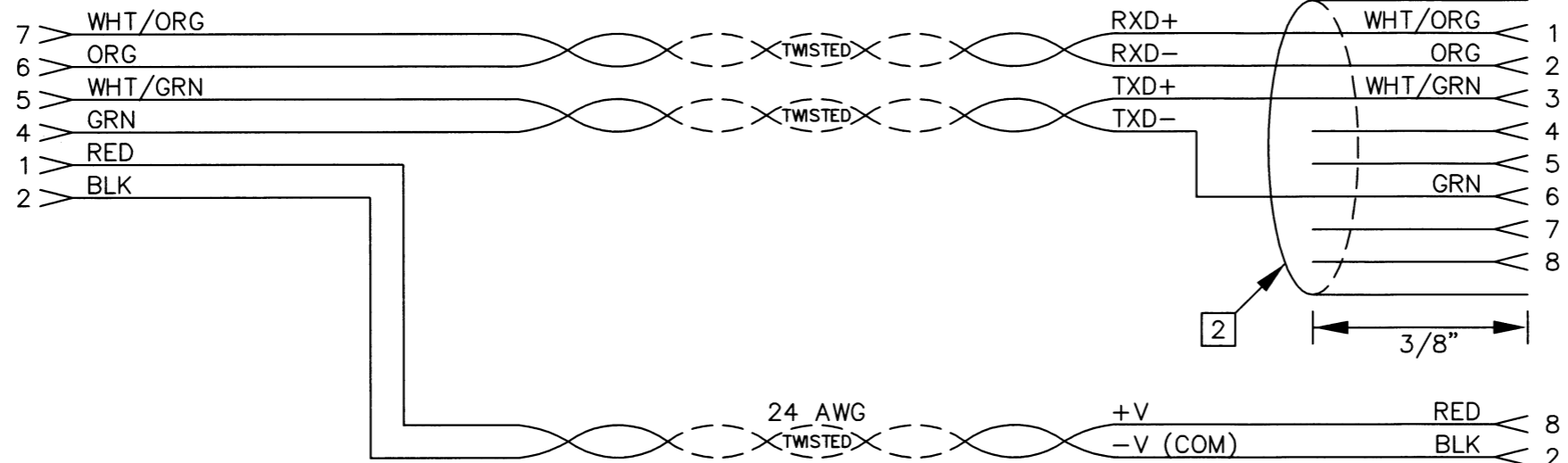
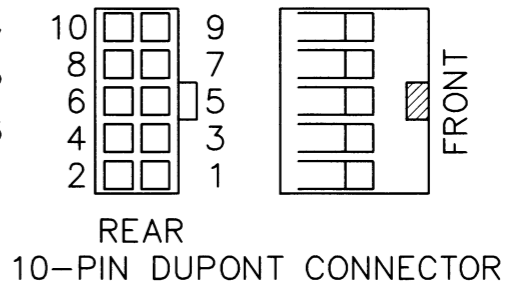
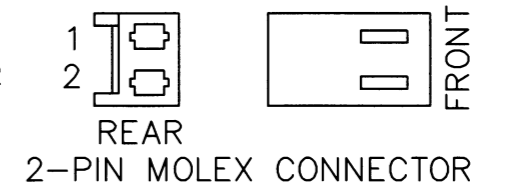
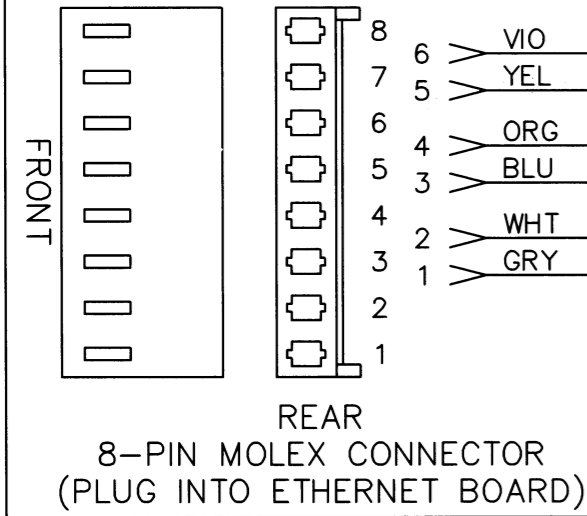
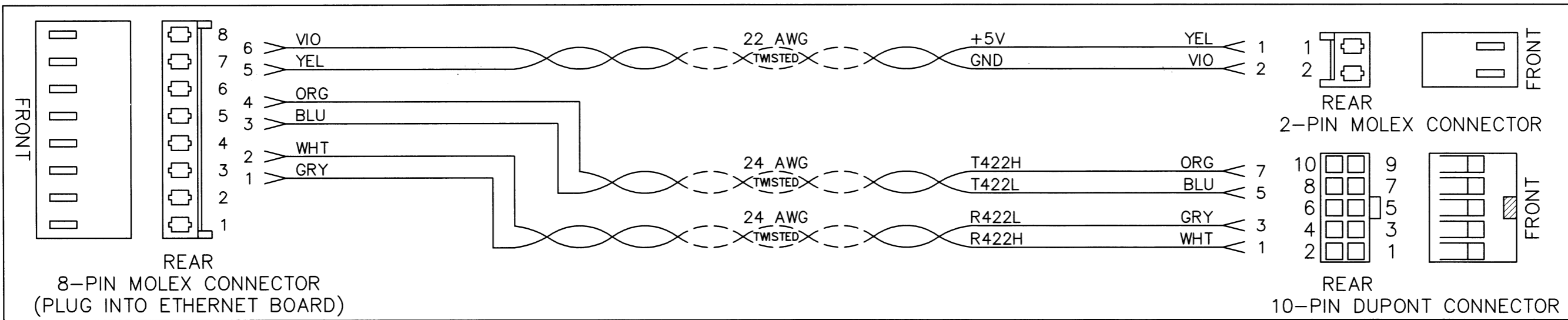


TO UNDERWATER CONNECTOR



PLUG INTO HEAD POWER SUPPLY BOARD



3

NOTES:

- 1 ETHERNET PCB IS ELECTROSTATIC SENSITIVE DEVICE.
- 2 REMOVE OUTER INSULATION AND UNUSED CONDUCTORS TO 1/8" FROM RJ45 CONNECTOR. COVER CUT-OFF WIRES WITH HEATSHRINK.
- 3 ETHERNET INTERCONNECT CABLE.

PROPRIETARY NOTICE - THIS DOCUMENT CONTAINS INFORMATION WHICH IS SOLE PROPERTY OF KONGSBERG MESOTECH LTD AND IS RECEIVED IN CONFIDENCE. ITS CONTENTS MAY NOT BE DISCLOSED OR REPRODUCED IN ANY WAY WITHOUT WRITTEN CONSENT OF KONGSBERG MESOTECH LTD.		APPROVALS	DATE
DRAWN	DL	10/05/05	
REVISED	BH	15/01/23	
CHECKED	<i>[Signature]</i>	2015/12/14	
ENGR	<i>[Signature]</i>	2015/02/10	
ISSUED	<i>[Signature]</i>	2015/02/11	
CONFIDENTIAL DO NOT COPY			
DO NOT SCALE DRAWING			

1.2	ECO 5439	15/01/26
1.1	ECO 4880	11/10/27
ISS	DESCRIPTION	DATE

REVISIONS			
Kongsberg Mesotech Ltd.			
ENDCAP WIRING ETHERNET TELEMETRY WITHOUT SYNC			
SIZE	NSCM NO	TYPE	DWG NO.
B	1C965	MD	442-00001344
SCALE:	NTS	W.O. NO.	ISS 1.2
			SHEET 1 OF 1